

- Chucks are mounted to universal base plates
- Reduced chuck diameters support tight work envelopes
- Base plate functions as a reference edge
- Air supply is through the base plate
- Pallet timing pin feature is integrated into chuck face
- 120mm chuck also has a manual option

### ASM 90

Clamping Force M10 (non turbo) 7,868 lbs

Clamping Force M12 (turbo) 11,240 lbs

### ASM 120 & ESM 138

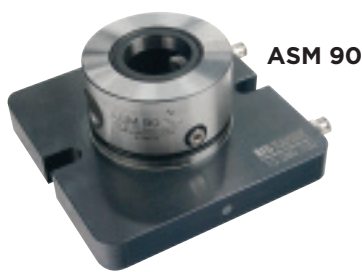
Clamping Force M10 7,868 lbs

Clamping Force M12 11,240 lbs

### All Chucks

Repeatability .0001"

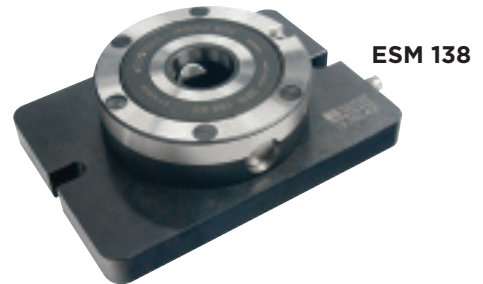
Air Pressure (open & turbo lock) 75 PSI



ASM 90

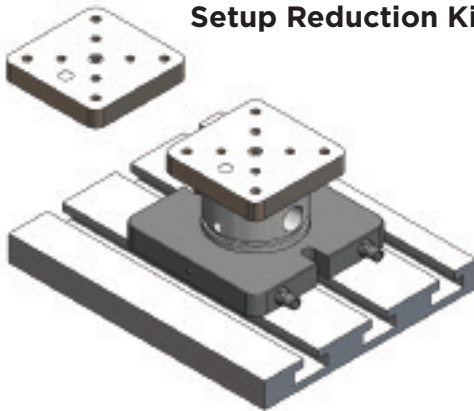


ASM 120



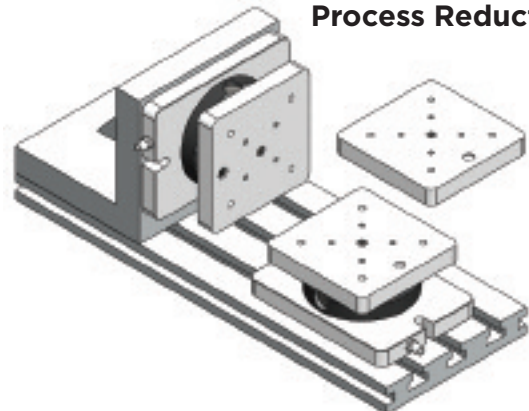
ESM 138

### Setup Reduction Kits



Setup Reduction Kits allow users to prep one job while another is running. These kits come with one chuck for the work cell and 2 pallets. One pallet can be loaded into the cell while the other is available for loading and unloading of fixtures or workpieces. When the job is completed simply change pallets and hit Cycle Start.

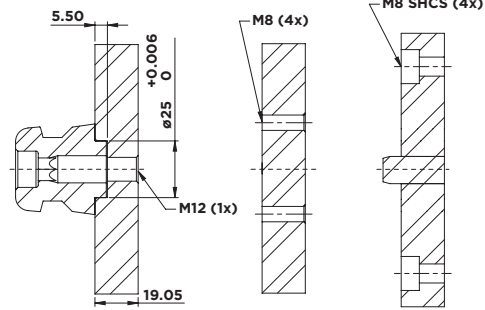
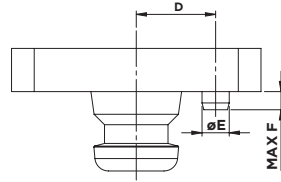
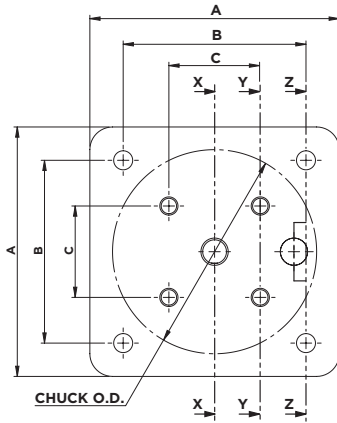
### Process Reduction Kits



Process Reduction Kits allow users to transfer parts between operations without unclamping the parts. A single pallet moves through multiple orientations while others follow as each operation is completed. Additional pallets are prepared while as the others are being processed.

| Part Number | Description                               |
|-------------|---|
| 15.280.110  | ASM 90 one-chuck two-pallet kit with air  |
| 15.280.210  | ASM 120 one-chuck two-pallet kit with air |
| 15.280.310  | ASM 120 Manual one-chuck two-pallet kit   |
| 15.280.410  | ESM 138 one-chuck two-pallet kit with air |

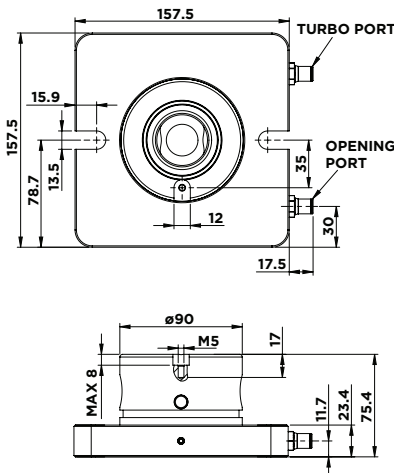
| Part Number | Description                                 |
|-------------|---|
| 15.280.112  | ASM 90 two-chuck three-pallet kit with air  |
| 15.280.212  | ASM 120 two-chuck three-pallet kit with air |
| 15.280.312  | ASM 120 manual two-chuck three-pallet kit   |
| 15.280.412  | ESM 138 two-chuck three-pallet kit with air |



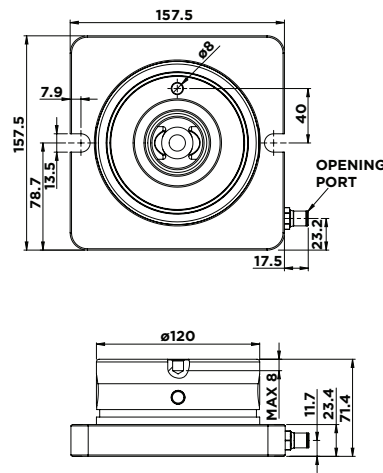
SECTION X-X      SECTION Y-Y      SECTION Z-Z

| Part Number | Chuck O.D. | A     | B     | C    | D    | E    | F   |
|-------------|------------|-------|-------|------|------|------|-----|
| 15.280.101  | 90mm       | 110mm | 81mm  | 40mm | 35mm | 12mm | 8mm |
| 15.280.201  | 120mm      | 140mm | 100mm | 50mm | 40mm | 8mm  | 7mm |
| 15.280.401  | 138mm      | 160mm | 100mm | 50mm | 62mm | 14mm | 7mm |

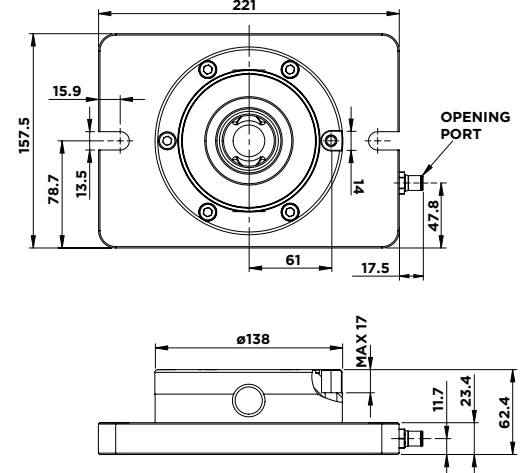
### 90mm chuck with base plate



### 120mm chuck with base plate



### 138mm chuck with base plate



#### Part Number      Description

|            |                                    |
|------------|------------------------------------|
| 15.280.100 | 90mm chuck with base plate         |
| 15.280.200 | 120mm chuck with base plate        |
| 15.280.300 | 120mm manual chuck with base plate |
| 15.280.400 | 138mm chuck with base plate        |

#### Part Number      Description

|            |                      |
|------------|----------------------|
| 15.280.101 | Pallet - 90mm chuck  |
| 15.280.201 | Pallet - 120mm chuck |
| 15.280.401 | Pallet - 138mm chuck |
| 15.352.000 | One-chuck air kit    |
| 15.311.030 | Turbo Valve          |